

KAIMAN

KAIMAN: combined wall bracket and shelf support for glass shelf 7 to 19mm thick and wood shelf 18 to 41mm thick.

Can be fixed:

- to cement wall with rawplug \varnothing 8mm and pan head screw \varnothing 5x50mm.
- to plaster board with umbrella fitting \varnothing 8mm & pan head screw M4x46mm.
- to wood panels 18mm thick with special designed spreading dowel and M6 bolt.

Useful fixing method for aligning wall brackets and easy shelf inclination adjustment as required.

Capable of supporting a 25Kg load each (shelf weight included), for a shelf 320mm deep.

Zinc alloy
Engineering plastic

8-40 mm

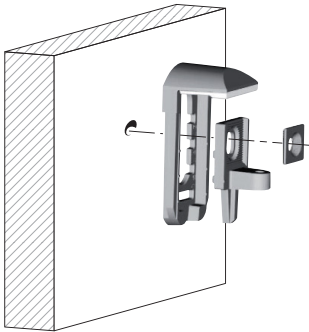


25 kg for each shelf support
for shelf 320 mm deep



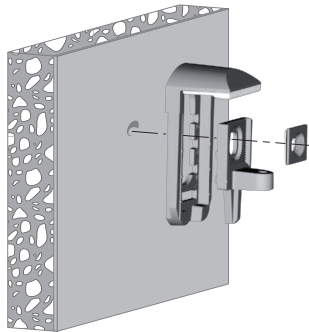
INSTALLATION AND ADJUSTMENTS

WOOD PANEL

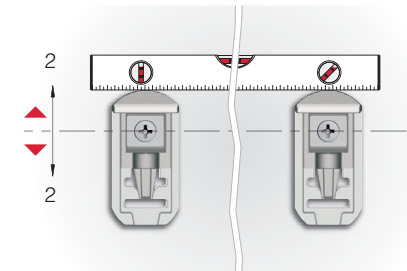


Recommended fixing countersunk screw type - head \varnothing 5 mm max.

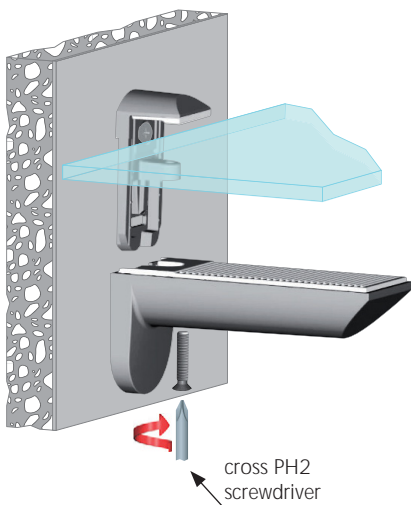
SOLID AND PLASTERBOARD WALLS



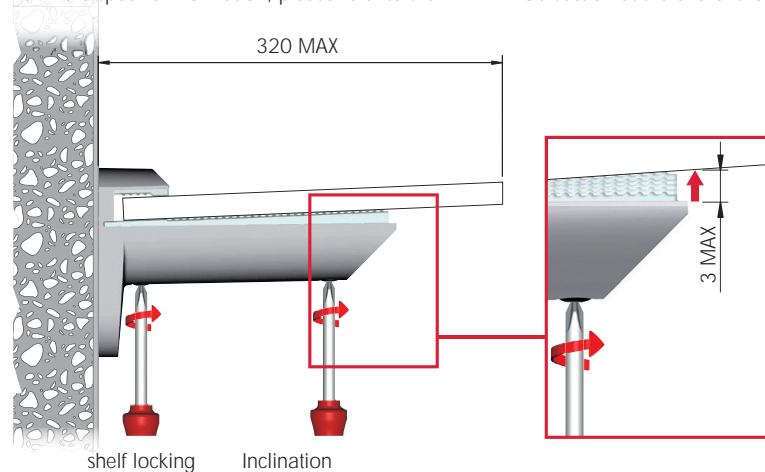
BRACKET ALIGNMENT



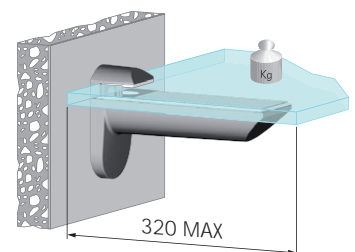
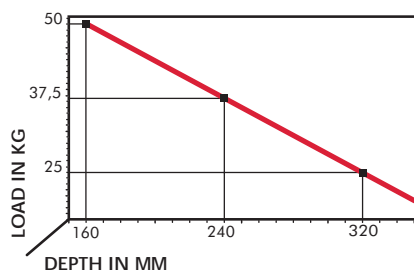
SHELF LOCKING AND INCLINATION



It is the responsibility of the customer:
- to ensure that the wall is of a suitable quality to hold the shelf fixing in place.
- to use the proper hardware fittings according to the construction of the wall.
For more specific information, please refer to the WARNINGS section at the end of the catalogue.



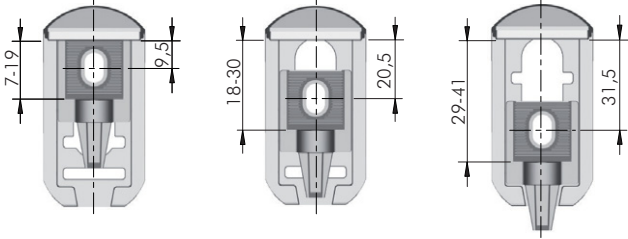
COMBINATION SHELF LOAD AND SHELF DEPTH (The figures refer to 1 shelf support)



+ shelf weight = 25 kg MAX for each shelf support

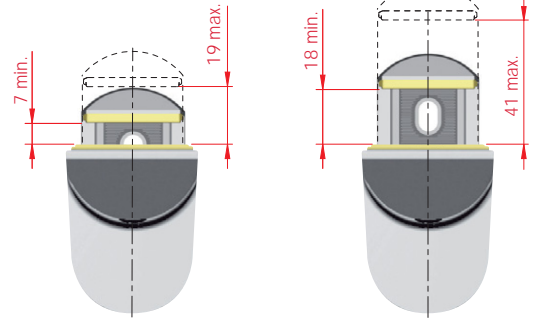


POSITION OF THE RIDGE PLATE

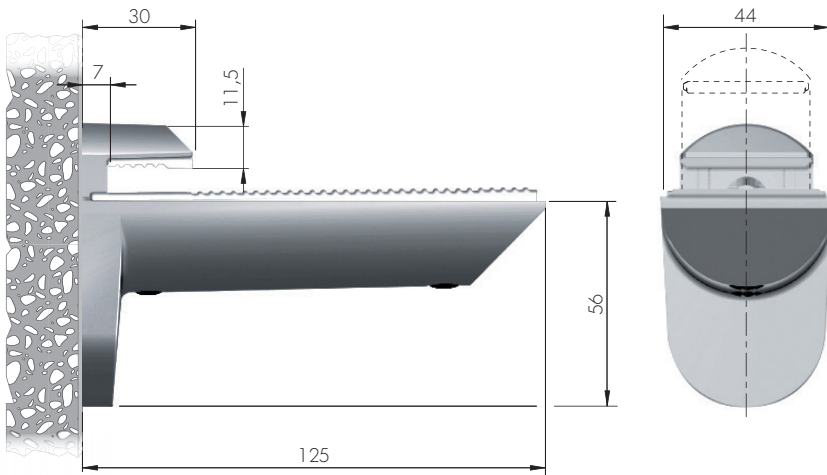


Glass shelves

Wood and honeycomb shelves



Shelf is clamped between a layer of ridged plastic on both the lower and upper side (coloured parts).



	= PH2	
		= 10 pairs
16102020JL		
16102020YD		
16102020KB		
16102020ZQ		

NOTE: KAIMAN is supplied in carton box including 2 pieces, accessories and fitting guide. Countersunk fixing screws Ø 5x50 and rawplugs Fischer SX Ø 8x40 to wall are included.

